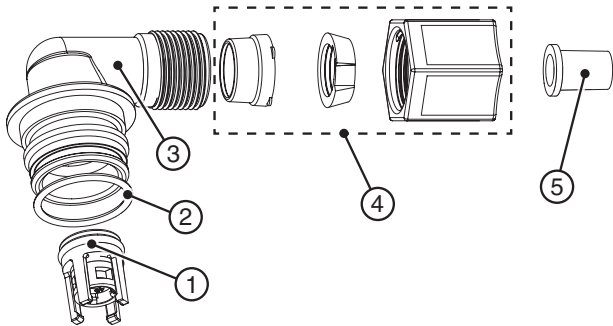


**Order No. V3498**

**Description: WS1.5 Brine Elbow Asy w/RFC 1/2"**

Drawing No.	Order No.	Description	Quantity
1	V3428*	WS1.5 Refill Retainer ASY	1
2	V3163	O-ring 019	1
3	H4612	Cap 1/2" 474 Safety Brine Valve	1
4	JCPG-8PBLK	Nut Compression 1/2" Black	1
5	JCP-P-8	Insert Polytube 1/2"	1

\*V3428 contains a V3182 WS1 RFC



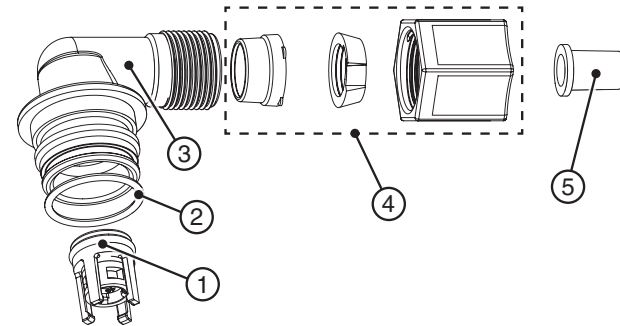
Form No. V3115-28 • 7/16/2020

**Order No. V3498**

**Description: WS1.5 Brine Elbow Asy w/RFC 1/2"**

Drawing No.	Order No.	Description	Quantity
1	V3428*	WS1.5 Refill Retainer ASY	1
2	V3163	O-ring 019	1
3	H4612	Cap 1/2" 474 Safety Brine Valve	1
4	JCPG-8PBLK	Nut Compression 1/2" Black	1
5	JCP-P-8	Insert Polytube 1/2"	1

\*V3428 contains a V3182 WS1 RFC



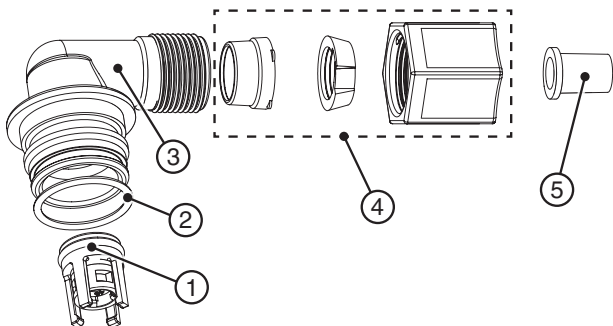
Form No. V3115-28 • 7/16/2020

**Order No. V3498**

**Description: WS1.5 Brine Elbow Asy w/RFC 1/2"**

Drawing No.	Order No.	Description	Quantity
1	V3428*	WS1.5 Refill Retainer ASY	1
2	V3163	O-ring 019	1
3	H4612	Cap 1/2" 474 Safety Brine Valve	1
4	JCPG-8PBLK	Nut Compression 1/2" Black	1
5	JCP-P-8	Insert Polytube 1/2"	1

\*V3428 contains a V3182 WS1 RFC



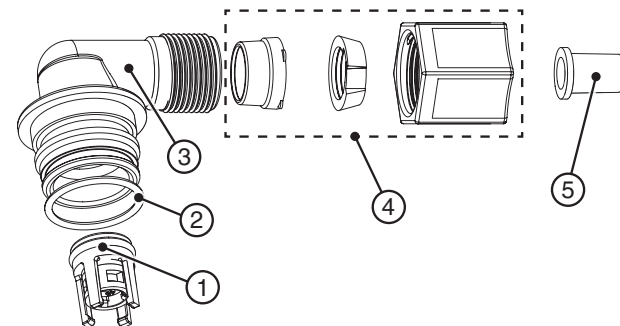
Form No. V3115-28 • 7/16/2020

**Order No. V3498**

**Description: WS1.5 Brine Elbow Asy w/RFC 1/2"**

Drawing No.	Order No.	Description	Quantity
1	V3428*	WS1.5 Refill Retainer ASY	1
2	V3163	O-ring 019	1
3	H4612	Cap 1/2" 474 Safety Brine Valve	1
4	JCPG-8PBLK	Nut Compression 1/2" Black	1
5	JCP-P-8	Insert Polytube 1/2"	1

\*V3428 contains a V3182 WS1 RFC



Form No. V3115-28 • 7/16/2020

**Order No. V3498**

**Description: WS1.5 Brine Elbow Asy w/RFC 1/2"**

HYDROCARBONS SUCH AS VASELINE®, PETROLEUM JELLY, KEROSENE, BENZENE, GASOLINE, ETC., WILL DAMAGE PRODUCTS THAT CONTAIN O-RINGS OR PLASTIC COMPONENTS. EXPOSURE TO SUCH HYDROCARBONS MAY CAUSE THE PRODUCTS TO LEAK. DO NOT USE CLACK CONTROL VALVE PRODUCT(S) ON WATER SUPPLIES THAT CONTAIN HYDROCARBONS SUCH AS KEROSENE, BENZENE, GASOLINE, ETC.

**Installation Instructions:**

1. Pull H4615 locking clip.
2. Remove existing fitting.
3. Insert 1/2" brine fitting.
4. Reinsert locking clip.
5. Slip nut on to 1/2" polytube.
6. Install 1/2" polytube insert into 1/2" brine line.
7. Install 1/2" tube into 1/2" fitting.
8. Tighten nut.

Form No. V3115-28 • 7/16/2020

**Order No. V3498**

**Description: WS1.5 Brine Elbow Asy w/RFC 1/2"**

HYDROCARBONS SUCH AS VASELINE®, PETROLEUM JELLY, KEROSENE, BENZENE, GASOLINE, ETC., WILL DAMAGE PRODUCTS THAT CONTAIN O-RINGS OR PLASTIC COMPONENTS. EXPOSURE TO SUCH HYDROCARBONS MAY CAUSE THE PRODUCTS TO LEAK. DO NOT USE CLACK CONTROL VALVE PRODUCT(S) ON WATER SUPPLIES THAT CONTAIN HYDROCARBONS SUCH AS KEROSENE, BENZENE, GASOLINE, ETC.

**Installation Instructions:**

1. Pull H4615 locking clip.
2. Remove existing fitting.
3. Insert 1/2" brine fitting.
4. Reinsert locking clip.
5. Slip nut on to 1/2" polytube.
6. Install 1/2" polytube insert into 1/2" brine line.
7. Install 1/2" tube into 1/2" fitting.
8. Tighten nut.

Form No. V3115-28 • 7/16/2020

**Order No. V3498**

**Description: WS1.5 Brine Elbow Asy w/RFC 1/2"**

HYDROCARBONS SUCH AS VASELINE®, PETROLEUM JELLY, KEROSENE, BENZENE, GASOLINE, ETC., WILL DAMAGE PRODUCTS THAT CONTAIN O-RINGS OR PLASTIC COMPONENTS. EXPOSURE TO SUCH HYDROCARBONS MAY CAUSE THE PRODUCTS TO LEAK. DO NOT USE CLACK CONTROL VALVE PRODUCT(S) ON WATER SUPPLIES THAT CONTAIN HYDROCARBONS SUCH AS KEROSENE, BENZENE, GASOLINE, ETC.

**Installation Instructions:**

1. Pull H4615 locking clip.
2. Remove existing fitting.
3. Insert 1/2" brine fitting.
4. Reinsert locking clip.
5. Slip nut on to 1/2" polytube.
6. Install 1/2" polytube insert into 1/2" brine line.
7. Install 1/2" tube into 1/2" fitting.
8. Tighten nut.

Form No. V3115-28 • 7/16/2020

**Order No. V3498**

**Description: WS1.5 Brine Elbow Asy w/RFC 1/2"**

HYDROCARBONS SUCH AS VASELINE®, PETROLEUM JELLY, KEROSENE, BENZENE, GASOLINE, ETC., WILL DAMAGE PRODUCTS THAT CONTAIN O-RINGS OR PLASTIC COMPONENTS. EXPOSURE TO SUCH HYDROCARBONS MAY CAUSE THE PRODUCTS TO LEAK. DO NOT USE CLACK CONTROL VALVE PRODUCT(S) ON WATER SUPPLIES THAT CONTAIN HYDROCARBONS SUCH AS KEROSENE, BENZENE, GASOLINE, ETC.

**Installation Instructions:**

1. Pull H4615 locking clip.
2. Remove existing fitting.
3. Insert 1/2" brine fitting.
4. Reinsert locking clip.
5. Slip nut on to 1/2" polytube.
6. Install 1/2" polytube insert into 1/2" brine line.
7. Install 1/2" tube into 1/2" fitting.
8. Tighten nut.

Form No. V3115-28 • 7/16/2020