

Clack® 

# 3 GALLON AND 5 GALLON POLYCARBONATE WATER BOTTLES

CONVENIENT MIDWEST  
LOCATION TO LOWER YOUR  
TRANSPORTATION COSTS



**3 GALLON**

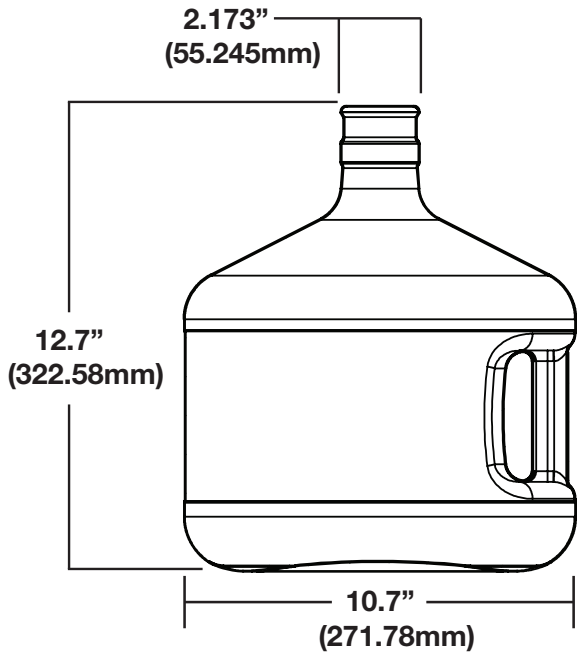


**5 GALLON**

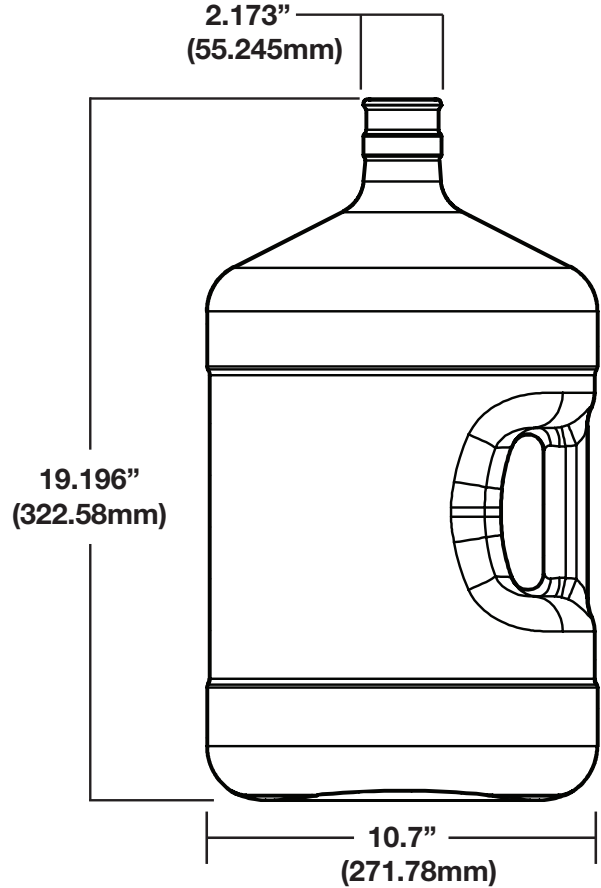
## FEATURES:

- Blow molded out of tough Polycarbonate to maximize turns and increase field life
- All bottles include a molded handle for convenience and safety
- Heat Transfer Application available

## 3 GALLON



## 5 GALLON



### LESS THAN A TRUCKLOAD SHIPMENTS

Part Number	Description	Bottles/Pallet	Pallet Dimensions	Weight
A9552-PC-SW	3 Gallon Polycarbonate Bottle	140	48" x 48" x 99"	230 Lbs.
A9546-PC-SW	5 Gallon Polycarbonate Bottle	100	48" x 48" x 91"	215 Lbs.

### TRUCKLOAD SHIPMENTS

Part Number	Description	Bottles/Pallet	Pallet Dimensions	Weight
A9552-PC-SW	3 Gallon Polycarbonate Bottle	140	48" x 48" x 101"	230 Lbs.
A9546-PC-SW	5 Gallon Polycarbonate Bottle	120	48" x 48" x 104"	250 Lbs.

All bottles are shrink wrapped on a cardboard slip sheet.



4462 DURAFORM LANE • WINDSOR, WISCONSIN 53598-9716 USA  
 PHONE (608) 846-3010 FAX (608) 846-2586 SALES/CUSTOMER SERVICE FAX (800) 755-3010

www.clackcorp.com

Form No. 2949 • 2/26/2020